



ENGINEERING COMPANY, LLC

*500 Main Street  
Deep River, CT 06417  
Phone (860) 510-0134  
Sales e-mail: info@acariproducts.com*

# Installation Guide: Drill-Free Roof Top Mount T Series

2019 + ALL NEW RAM 1500

---

## ***Safety First!***

These instructions provide all the necessary directions and information to allow your ACARI product to be safely and properly installed. Before beginning the installation of your new ACARI product, please have the installer and the operator read these directions thoroughly. Important information regarding the safe installation and safe operation of your ACARI product is contained that could prevent serious damage and injury to yourself or others.

The ACARI RTM is designed to facilitate the quick and simple installation of devices normally mounted to the roof of a pickup truck. Our product provides a durable platform onto which these devices may be mounted without requiring holes to be drilled into the cab roof for fastening or wiring access. ACARI provides a system of weather-resistant gaskets and deflectors designed to redirect wind and moisture in common applications. **PLEASE NOTE; ACARI RTM is not designed to be weather-proof in the event of power washing, mechanical car washing, or other forces beyond normal highway operation.**

It is the responsibility of the owner/operator to periodically inspect the RTM to be sure the clamping system remains secure and the weather resistant gasketing is snug.

The ACARI RTM is designed to provide a mounting platform for lighting, antennas, GPS, and other devices. In no way is the ACARI RTM to be used as a load bearing rack for ladders or other equipment or supplies. The recommended weight restriction of the ACARI RTM is **30 lbs.**

The ACARI RTM is designed to provide a mounting platform but in no way provides advice on the possible electronic effect of mounting various devices within any proximity to another. The ACARI RTM is manufactured of powdercoated aluminum but is mounted to the vehicle with gaskets to provide a water-resistant bond and protect the finish of the vehicle. As such, the ACARI RTM **may not** be grounded to the vehicle without the installation technician applying an appropriate grounding mechanism.

## **MOUNTING THE UNIT:**

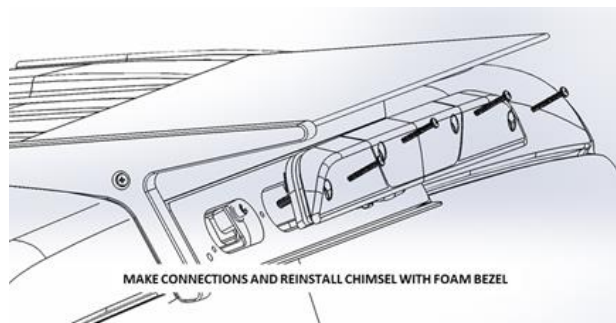
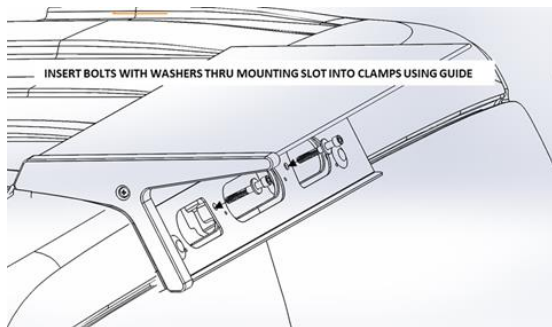
The ACARI T Series has been developed with five vehicle specific platforms. Each model shares the same clamping method, gasketing system, and deck dimensions.

**NOTE:** To maximize success of the water resistant seal, the Lightbar Mount must be centered and level on the vehicle when installed.

1. **Mount Preparation:** Open package and remove all parts from shipping position inside the box.
2. **Platform Preparation:** Mount and fasten lights and other apparatuses to be installed on the upper surface of the platform, attaching and fastening each to their manufacturers' installation requirements. All wiring should include 8 to 10 inch leads and connectors. At same time, make up the corresponding wire harness for connection inside the vehicle. Lengths will vary.

**NOTE:** Fasteners are not to project more than 3/8" below bottom surface of the mounting area for risk of damaging vehicle. Pan-head fasteners are recommended.

3. **Vehicle Preparation:** Remove the mounting screws securing the CHMSL (Cab High Mount Stop Light). Remove light housing from truck body, detach wiring connector, and set aside for re-installation at end of the upfit.
4. Install the corresponding apparatus wiring harness through the CHMSL hole into the vehicle and snake through the interior for connection. Be sure to leave enough wire length for maneuvering and attachment of connectors at the end of the upfit.
5. Remove the two clamps from the assembly. Pull all harness wires and CHMSL lead through the access holes. Position the Platform Assembly onto the CHMSL mount area of the vehicle, centered on the opening. Compress the bottom foam strip such that the registration tabs capture the bottom edge of the vehicle opening.
6. **Installation of the Platform:** One at a time, insert each clamp into the outer vehicle aperture, then insert mounting bolts through the platform mounting hole and align with clamp holes. Carefully adjust the location of the clamps to maximize hole alignment and thread bolt in loosely.



7. **Final Securing of the Platform:** **BE SURE TO CENTER AND LEVEL THE PLATFORM ON THE VEHICLE CAB.** Holding the **Platform Assembly** firmly against the vehicle, tighten the clamp adjustment fasteners to take up the slack until the gaskets fit uniformly against the profile of the cab body and compress the leading edge deflector gasket. Sight the top of the endcaps as a reference for level and true. Final tighten both clamp fasteners equally using a 7/16" socket, 15-18 ft/lbs each.
8. Connect the new apparatus' wiring harnesses and test. Reconnect the CHMSL harness, and reinstall light housing into **Platform Assembly** with original fasteners.
9. A strip of self-adhesive weather stripping is included **to adhere to vehicle roof** overlapping the front edge of the unit as added protection of the leading edge gaskets. This is strongly recommended to avoid ice buildup.



---

## USER DIRECT ONE YEAR WARRANTY

ACARI Engineering Company, LLC warrants products of its manufacture against defects in material and workmanship. This is provided that the product has been installed and operated in accordance with the manufacturers' recommendations. During the warranty period, an Authorized ACARI Repair Center will repair or replace (at its option) any parts or assemblies of the unit which disclose a defect in material or workmanship. The Repair Center will return the repaired unit, transportation cost prepaid.

The above warranty is between the first purchaser (ultimate user) only and ACARI Engineering Company, LLC (manufacture). No prior authorization is required for returning ACARI products for warranty consideration. Each ACARI product sold is covered only by the official warranty in effect at time of purchase.

This warranty is not applicable to any ACARI product that has failed due to abuse, misuse, improper installation, and excessive alterations to the product that affects, in the manufacture's judgment, intended use and service. ACARI will not be held liable for any incidental or consequential damages, and assumes no responsibility or liability for expenses incurred in the removal and/or re-installation of products requiring services and/or repair; nor the packaging, handling, and shipping to the Authorized ACARI Repair Center; nor the handling of products returned from the repair center after service or repair. **There are no other warranties, expressed or implied, including, but not limited to, any implied merchantability or fitness for a particular use.** ACARI Engineering Company, LLC reserves the right to modify this warranty statement at any time; or discontinue, modify, or upgrade any products of its manufacture with design improvements without prior notice.

This warranty gives you specific rights, and you may also have other rights which vary from state to state.

ACARI products are covered by a direct warranty for up to a maximum one year from date of purchase (not to exceed two years from the date of manufacture), with proof of purchase. In accordance with the policy statement described herein, the unit may be returned directly to the Authorized ACARI Repair Center for warranty consideration.

### STEPS TO BE TAKEN FOR WARRANTY RETURN:

1. ACARI products are to be returned freight prepaid to the Authorized ACARI Repair Center.
2. A copy of the sales receipt must be returned with the defective unit to qualify for warranty coverage from date of purchase.
3. Include a short statement explaining the problem.
4. Include your name, address, and day-time telephone number.
5. ACARI and its Authorized Repair Centers will, via UPS, ship back the repaired unit **freight prepaid**, usually within a few days after its receipt.

The only AUTHORIZED ACARI REPAIR CENTER(S) are predetermined by the ACARI Factory via official listing obtained from ACARI Engineering Company, LLC.

**ACARI™ Engineering Company, LLC**

500 Main Street, Deep River, CT 06417 860 510-0134 [www.acariproducts.com](http://www.acariproducts.com)